

SINGER

PARTS LIST OF MODEL

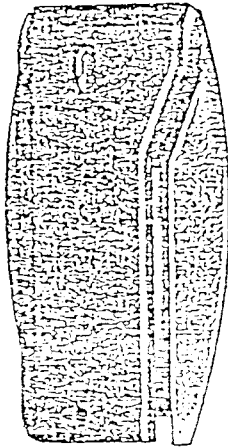
143B6	LOWER FEED
143B6R	LOWER FEED WITH PULLER

15007
Y Y Y Y Y Y

1805



1806



1427

1427

10682

110635

11006



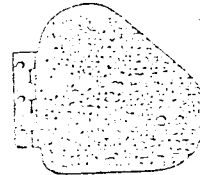
13078-02

• 15038

1803



15039



1849

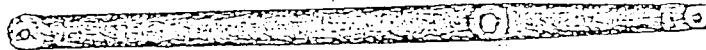
1851

1850

13023

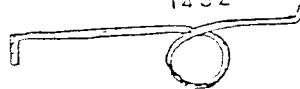
10699

1331



2053

1432



3025

17056

8093

8046



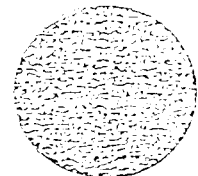
8050

6339



6350

1433



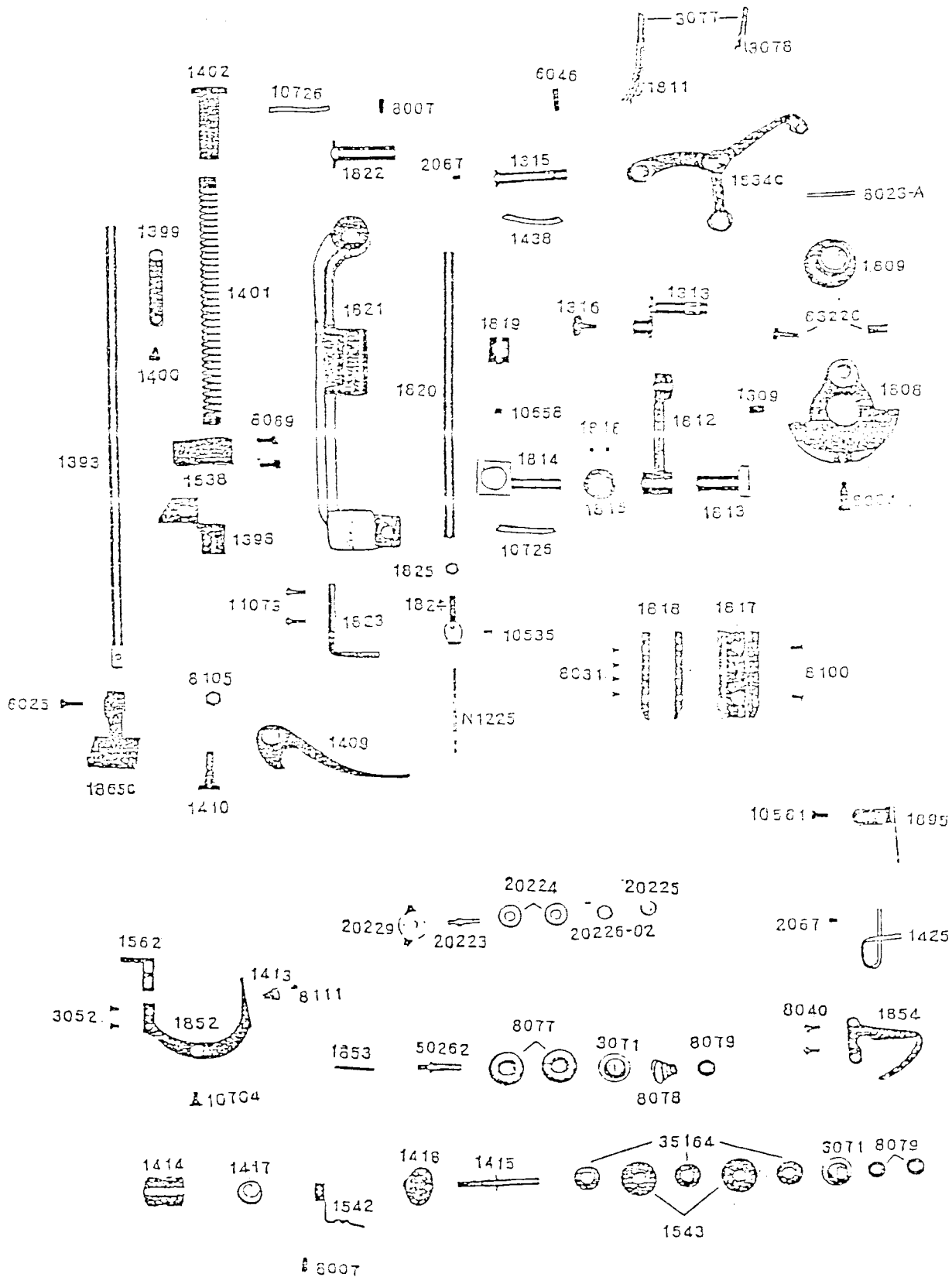
8094

Y Y Y Y Y Y

10794

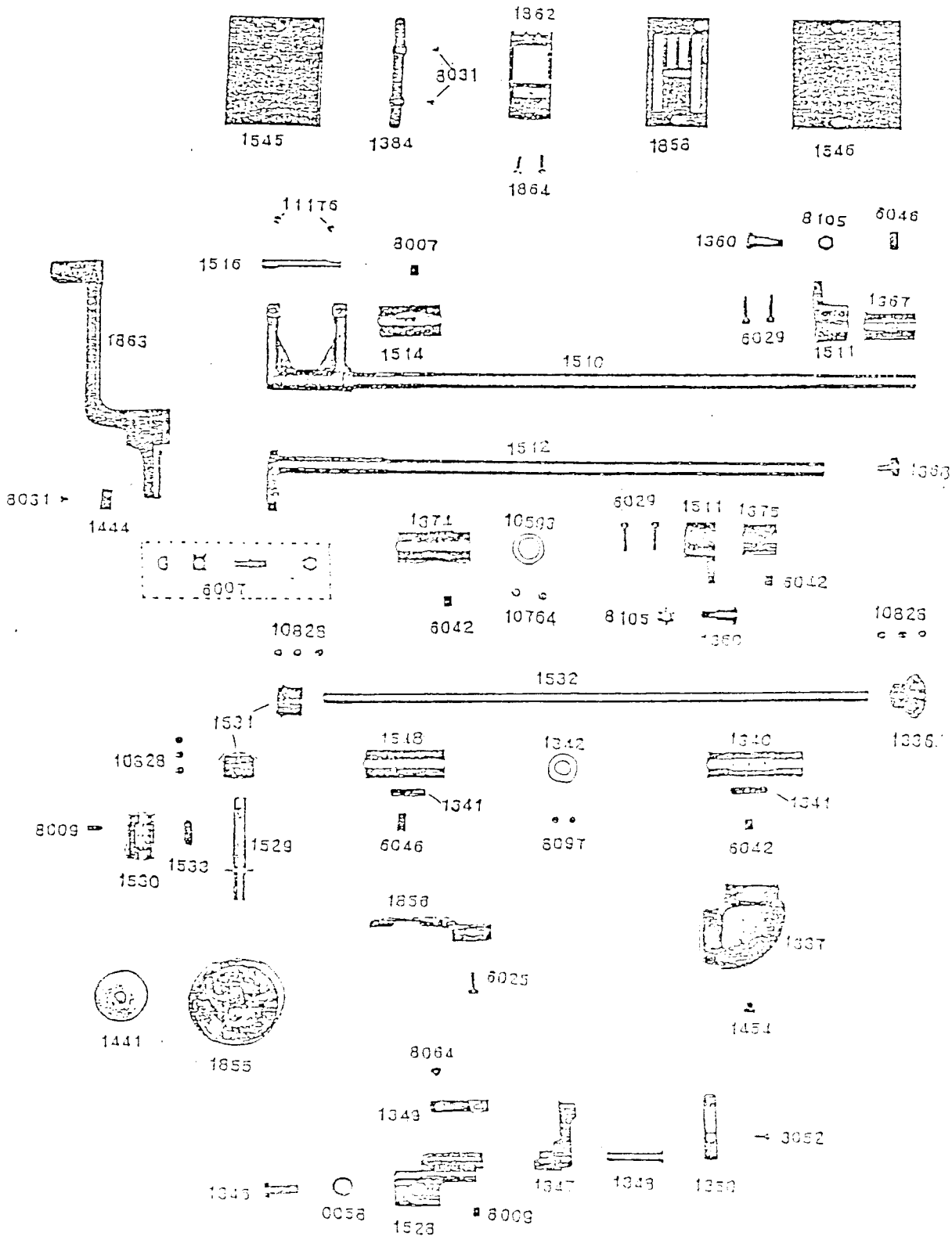
NOTE: WHEN ORDERING PARTS, PREFIX ALL NUMBERS WITH 05, EXAMPLE 05 _____

3/8



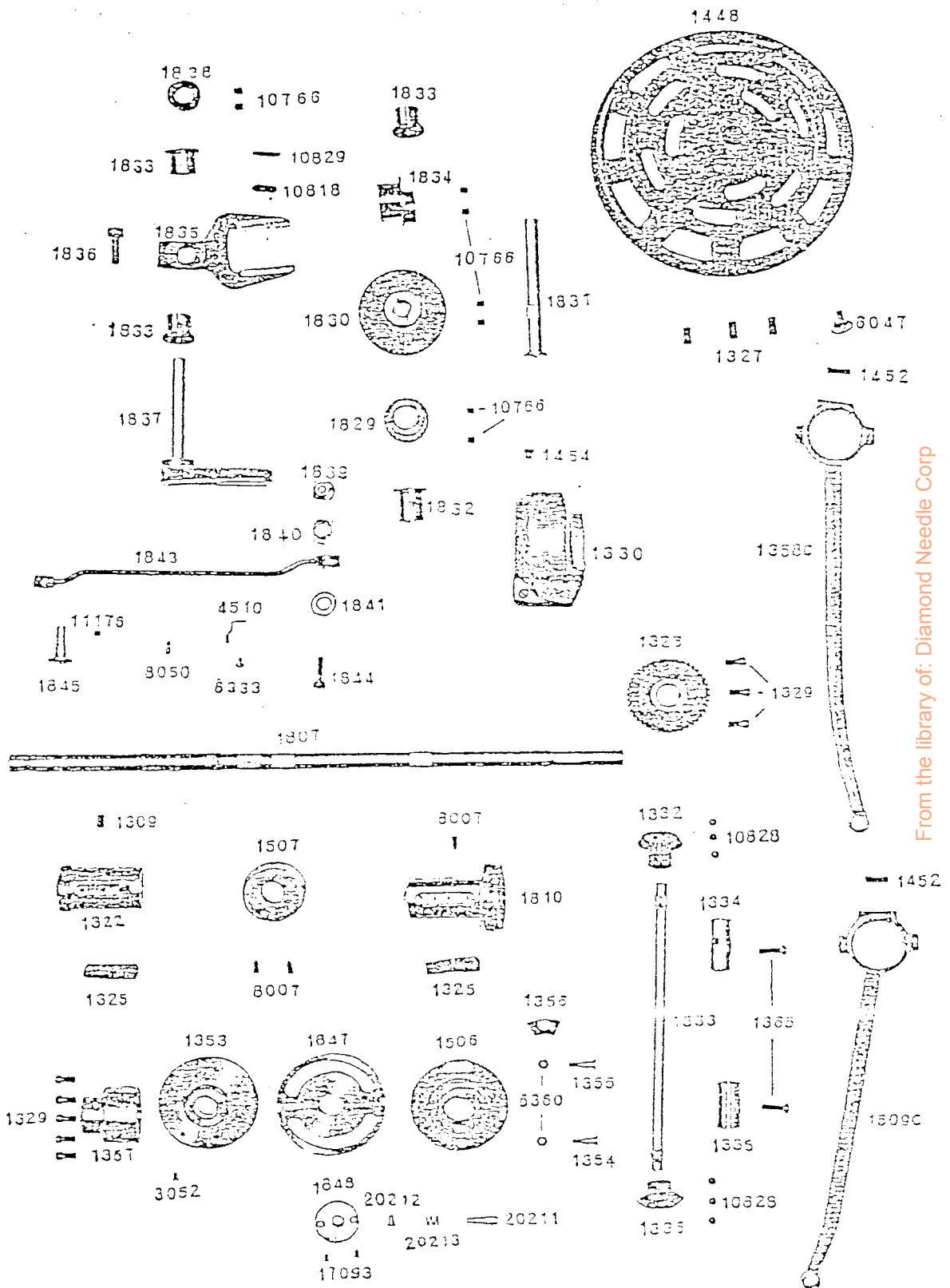
NOTE: WHEN ORDERING PARTS, PREFIX ALL NUMBERS WITH CS, EXAMPLE CS

Y-1850-Y



From the library of: Diamond Needle Corp

NOTE: WHEN ORDERING PARTS, PREFIX ALL NUMBERS WITH CS, EXAMPLE CS _____

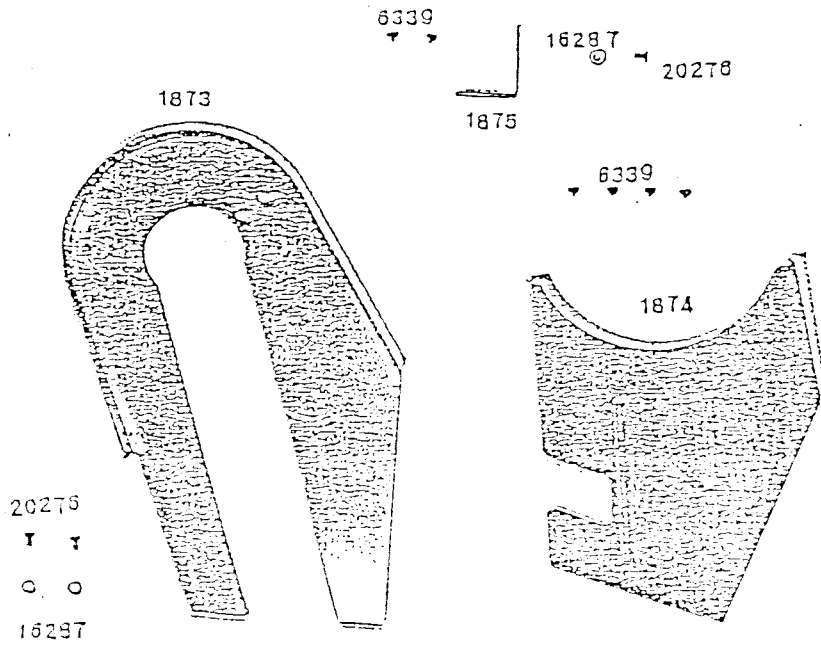


From the library of: Diamond Needle Corp

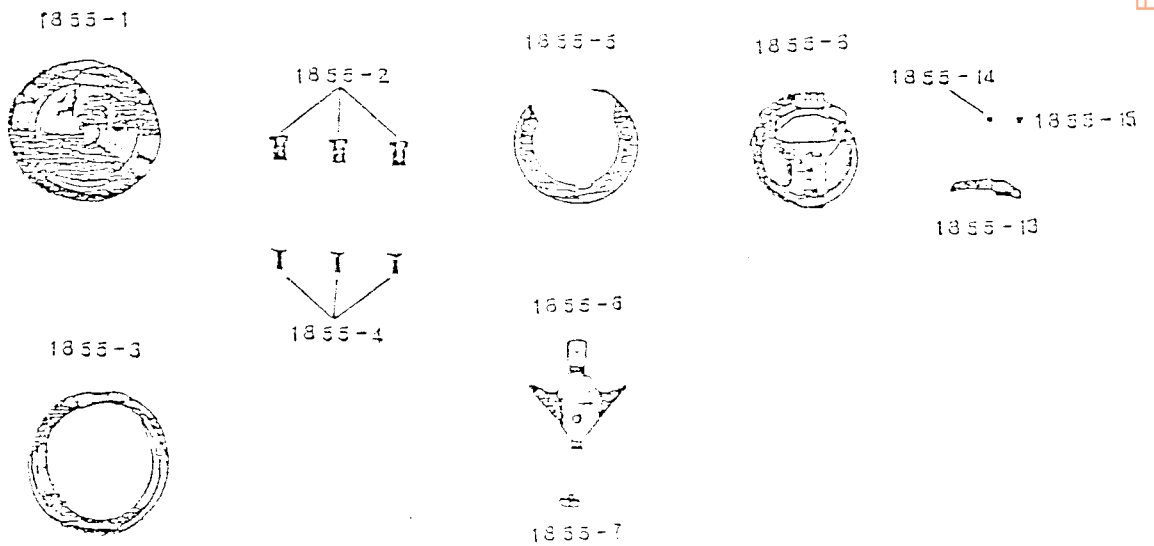
NOTE: WHEN ORDERING PARTS, PREFIX ALL NUMBERS WITH CS, EXAMPLE CS _____

BELT GUARD - Optional Equipment

(set No. is 1873C)

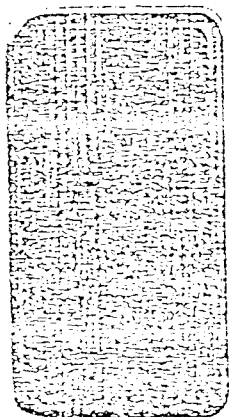


HOOK PARTS

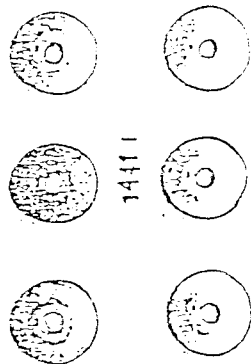


NOTE: WHEN ORDERING PARTS, PREFIX ALL NUMBERS WITH CS, EXAMPLE CS _____

8132



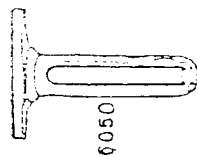
8124



1441 I



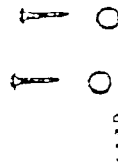
N1225



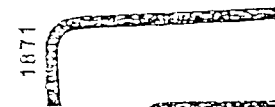
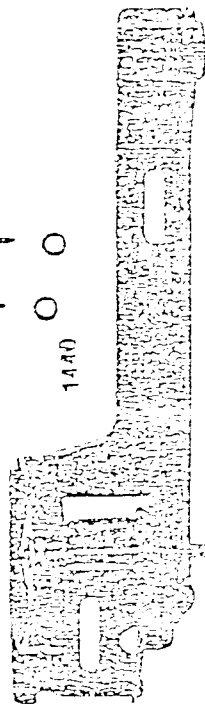
6050



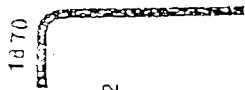
7017



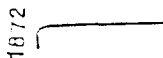
1440



1871



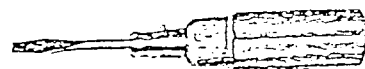
1870



1872



4202



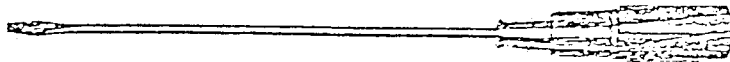
8120



8121

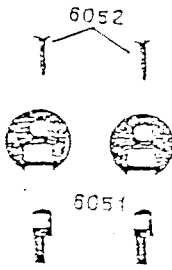
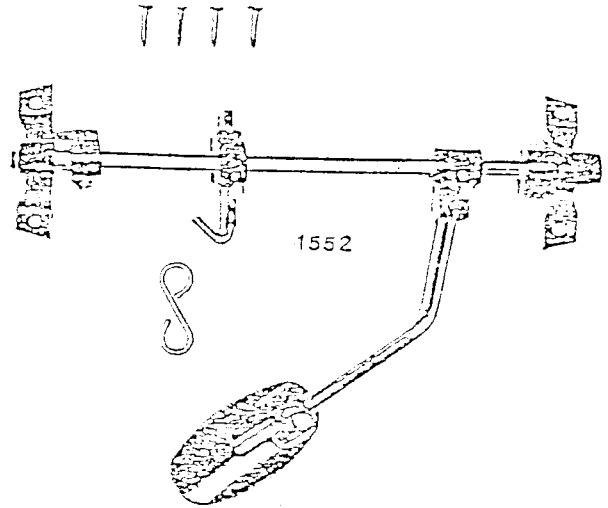
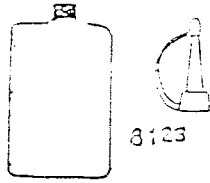
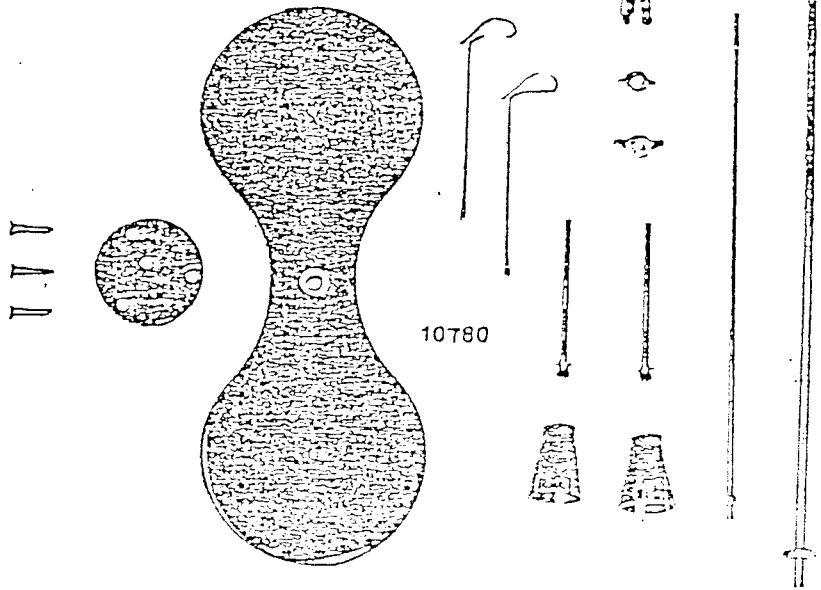


8125



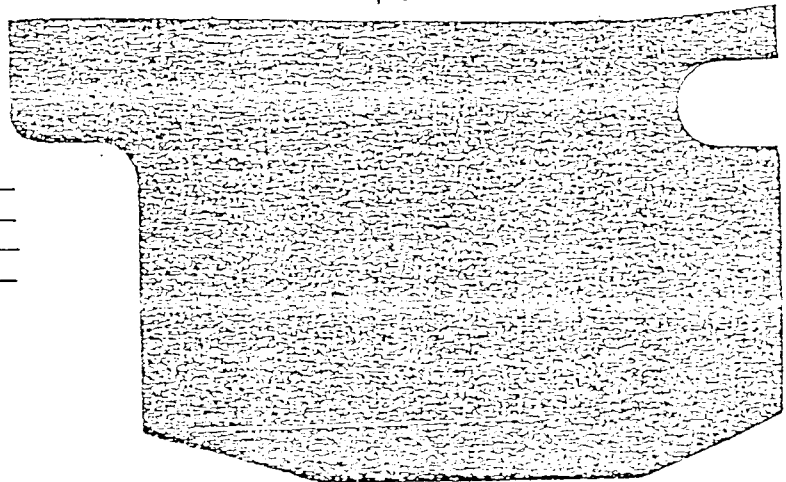
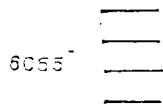
8116

NOTE: WHEN ORDERING PARTS, PREFIX ALL NUMBERS WITH CS, EXAMPLE CS _____



2-11176-3

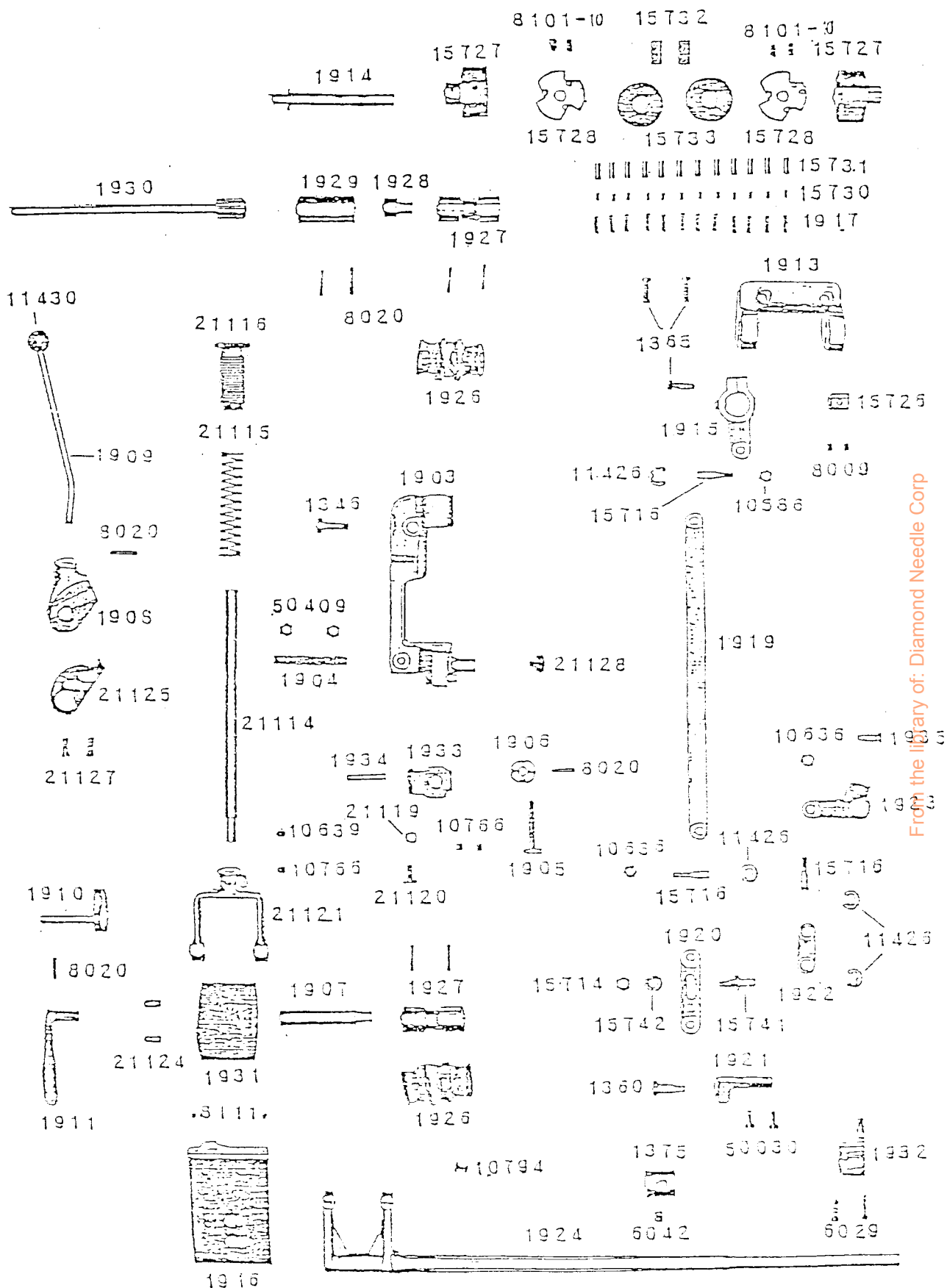
1553



From the library of: Diamond Needle Corp

NOTE: WHEN ORDERING PARTS, PREFIX ALL NUMBERS WITH CS, EXAMPLE CS _____

Flath Puller (MODEL 143B6R)



From the library of: Diamond Needle Corp

NOTE: WHEN ORDERING PARTS, PREFIX ALL NUMBERS WITH CS, EXAMPLE CS _____